

2.0 Megapixel Full HD Network IR Wipe PTZ Dome Camera



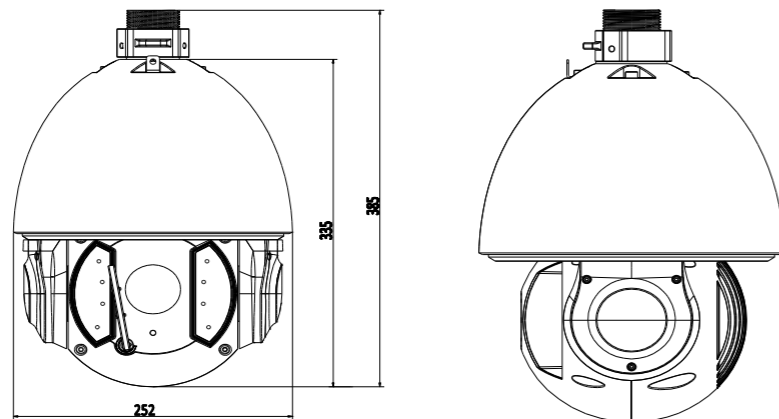
Model

SHELIAK-131: 2.0 Megapixel Full HD Network IR Wipe PTZ Dome Camera

Features

- Powerful 230x optical zoom
- H.264 & MJPEG dual-stream encoding
- Max 25/30fps@1080p, 50/60fps@720P
- Defog, DWDR, Day/Night(ICR), DNR (2D&3D), Auto iris, Auto focus, AWB, AGC,BLC
- Support Wipe
- Multiple network monitoring: Web viewer, CMS(DSS/PSS) & DMSS
- Max 240°/s pan speed, 360° endless pan rotation
- Up to 255 presets, 5 auto scan, 8 tour, 5 pattern
- Built-in 7/2 alarm in/out
- Support intelligent 3D positioning with DH-SD protocol
- Micro SD memory, IP66
- IR Distance up to 150m

Dimensions (mm)



Specifications

Model	SHELIAK-131
Camera	
Image Sensor	1/2.8" 2Megapixel CMOS
Effective Pixels	1944(H) x 1092(V), 2 Megapixels
Scanning System	Progressive
Electronic Shutter Speed	1/1 ~ 1/30,000s
Min. Illumination	Color: 0.05Lux@F1.6; B/W: 0.005Lux@F1.6
S/N Ratio	>50dB
Camera Features	
IR Distance	150m (2 near IR LED+ 8 far IR LED)
Day/Night	Auto(ICR) / Color / B/W
Backlight compensation	BLC / HLC / DWDR
Gain Control & WB	Auto/Manual
Noise Reduction	Ultra DNR (2D/3D)
Privacy Masking	Up to 24 areas
Lens	
Focal Length	4.3mm~129mm (30x Optical zoom)
Max Aperture	F1.6 ~ F5.0
Angle of View	H: 58.9°~ 2.1°
Close Focus Distance	10mm~ 1200mm
Video	
Compression	H.264/MJPEG
Resolution	1080P(1920× 1080) / D1(704× 576) / CIF(352× 288)
Frame Rate	Main Stream 1080P (1 ~ 25/30fps) / 720P(1~50/60fps) Sub Stream D1/CIF(1 ~ 25/30fps)
Bit Rate	H.264: 56K ~ 8192Kbps, MJPEG: 56K ~ 20480Kbps
Audio	
Compression	G.711a / G.711u (32kbps)/ PCM(128kbps)
Interface	1/1 channel in/Out
Network	
Ethernet	RJ-45 (10/100Base-T)
Protocol	IPv4/IPv6, HTTP, SSL, TCP/IP, UDP, UPnP, ICMP, IGMP, SNMP, RTSP, RTP, SMTP, NTP, DHCP, DNS, PPPOE, DDNS, FTP, IP Filter, QoS, Bonjour
ONVIF	ONVIF Profile S
Max. User Access	20 users
Smart Phone	iPhone, iPad, Android, Windows Phone
Auxiliary Interface	
Memory Slot	Micro SD, Max 64GB
RS485	1
Alarm	7/2 channel In/Out
General	
Power Supply	AC24V/3A(±16%)
Power Consumption	20W, 43W (IR on, Heater on)
Working Environment	-40°C ~ 70°C / Less than 90% RH
Dimensions(W×D×H)	Φ252(mm) x 385 (mm)
Weight	6.75kg
Ingress protection	IP66

