

## 2Megapixel Full HD Network Small IR-Bullet Camera



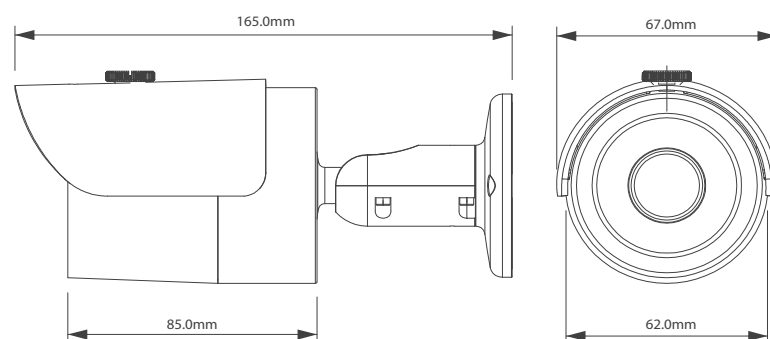
### Model

SHELIAC-112: 2Megapixel Full HD Network Camera

### Features

- 1/3" 2Megapixel progressive scan Exmor CMOS
- H.264 & MJPEG dual-stream encoding
- 25/30fps@1080P(1920×1080)
- DWDR, Day/Night(ICR), 2DNR, AWB, AGC, BLC
- Multiple network monitoring: Web viewer, CMS(DSS/PSS) & DMSS
- 6mm fixed lens (3.6mm,8mm optional)
- Max. IR LEDs Length 20m

### Dimensions (mm)



## Specifications

|                         |  |
|-------------------------|--|
| Model                   | SHELIAC-112  |
| Camera                  |  |
| Image Sensor            | 1/3" 2Megapixel Exmor CMOS   |
| Effective Pixels        | 1920(H)×1080(V)  |
| Scanning System         | Progressive  |
| Electronic Shutter Sped | Auto/Manual, 1/3~1/10000s  |
| Min. Illumination       | 0.1Lux/F1.2 (Color), 0.01Lux/F1.2(B/W);0Lux/F1.2(IR on)  |
| S/N Ratio               | >50dB  |
| Camera Features         |  |
| Max. IR LEDs Length     | 20m  |
| Day/Night               | Auto(ICR) / Color / B/W  |
| Backlight Compensation  | BLC / HLC / DWDR   |
| White Balance           | Auto   |
| Gain Control            | Auto / Manual  |
| Noise Reduction         | 2D   |
| Privacy Masking         | Up to 4 areas  |
| Lens                    |  |
| Focal Length            | 6mm (3.6mm,8mm)  |
| Max Aperture            | F1.6   |
| Angle of View           | H: 46°(70°/35°)  |
| Lens Type               | Fixed lens   |
| Mount Type              | Board-in Type  |
| Video                   |  |
| Compression             | H.264 / MJPEG  |
| Resolution              | 1080P(1920×1080) / 720P(1280×720) / 080P(1920×1080) / 720P(1280×720) / D1(704×480) / CIF(352×240)  |
| Frame Rate              | Main Stream 1080P/720P(1 ~ 25/30fps)<br>Sub Stream D1/CIF(1 ~ 25/30fps)  |
| Bit Rate                | H.264: 32K ~ 8192Kbps, MJPEG: 32K ~ 20480Kbps  |
| Network                 |  |
| Ethernet                | RJ-45 (10/100Base-T)   |
| Protocol                | IPv4/IPv6, HTTP, HTTPS, SSL, TCP/IP, UDP, UPnP, ICMP, IGMP, SNMP, RTSP, RTP, SMTP, NTP, DHCP, DNS, PPPOE, DDNS, FTP, IP Filter, QoS, Bonjour |
| ONVIF                   | ONVIF Ver. 2.0   |
| Max. User Access        | 10 users   |
| Smart Phone             | iPhone, iPad, Android, Windows Phone   |
| General                 |  |
| Power Supply            | DC12V, PoE (802.3af)   |
| Power Consumption       | <6W  |
| Working Environment     | -10°C~+60°C, 10%~90%   |
| Ingress Protection      | IP66   |
| Dimensions              | Φ65.0mm×160.0mm  |
| Weight                  | 0.4kg  |

