

1.3Megapixel HD Cube Network Camera



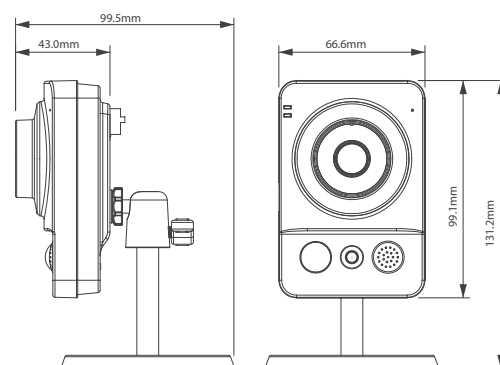
Model

SHELIAC-111: 1.3Megapixel HD Cube Network Cameray

Features

- 1/3" 1.3Megapixel Aptina CMOS
- H.264 & MJPEG dual-stream encoding
- Max 15fps@1.3M (1280x960)/25/30fps@720P(1280x720)
- DWDR, Day/Night, 2DNR, Auto iris, AWB, AGC, BLC
- Multiple network monitoring: Web viewer, CMS(DSS/PSS) & DMSS
- 3.6mm fixed lens
- Built-in 1/1 alarm in/out
- White LEDs length 10m
- PIR sensor range 6m
- Micro SD memory , PoE

Dimensions (mm)



Specifications

Model	SHELIAC-111
Camera	
Image Sensor	1/3" 1.3Megapixel Aptina CMOS
Effective Pixels	1280(H)x960(V)
Scanning System	Progressive
Electronic Shutter Speed	Auto/Manual 1/3~1/10000 (PAL), Auto/Manual 1/4~1/10000(NTSC)
Min. Illumination	0.1lux/F1.8(color),
S/N Ratio	>50dB
Camera Features	
Max. LEDs Length	10m
Day/Night	Auto(Electronic) / Color / B/W
White Balance	BLC / HLC / DWDR
Gain Control	Auto/Manual
Noise Reduction	2D
Privacy Masking	Up to 4 areas
Lens	
Focal Length	3.6mm
Max Aperture	F1.8
Angle of View	70°
Mount TypeVideo	Board-in Type
Video	
Compression	H.264/MJPEG
Resolution	1.3M(1280x960)/720P(1280x720)/D1/CIF
Frame Rate	Main Stream 1.3M(1~15fps)/720P/D1(1~25/30fps) Sub Stream D1/CIF(1 ~ 25/30fps)
Bit Rate	H.264: 32K ~ 8096Kbps,MJPEG:32K~12288Kbps
Audio	
Compression	G.711a / G.711u (64kbps)/ PCM(128kbps)
Interface	Built-in Mic, Built-in speaker
Network	
Ethernet	RJ-45 (10/100Base-T)
Protocol	IPv4/IPv6, HTTP, SSL, TCP/IP, UDP, UPnP, ICMP, IGMP, SNMP, RTSP, RTP, SMTP, NTP, DHCP, DNS, PPPOE, DDNS, FTP, IP Filter, QoS, Bonjour
ONVIF	ONVIF Ver. 2.0
Max. User Access	10 users
Smart Phone	iPhone, iPad, Android, Windows Phone
Auxiliary Interface	
Memory Slot	Micro SD, Max 32GB
PIR Sensor Range	Up to 6m
Alarm	1/1 channel In/Out
General	
Power Supply	DC12V,PoE(802.3af)
Power Consumption	<4W
Working Environment	-10°C~+50°C, 10%~90%
Dimensions(WxDxH)	66.6x43mmx131.2
Weight	0.35kg (0.4kg with bracket)

